

KEA | 90° kabelgenomföringsadapter

för delade kabelgenomföringsramar & kabelgenomföringsplattor / upp till IP66



KEA 24 is a cable entry adapter for accommodating various icotek cable entry frames and plates of size 24. The adapter allows cables to be routed at a 90° angle. The installation direction can be horizontal or vertical. The cables are protected against mechanical tension in the entry and exit areas. [Wall mounting](#) is done either with screws and nuts or by using threaded bushings. A suitable wall seal is included in the scope of delivery. icotek also offers suitable [punches for the cut-out](#).

The cable entry plates [KEL-DP 24 Type B](#) can be easily snapped onto the KEA 24 W90 R. The cable entry frames [KEL 24](#), [KEL-U 24](#), [KEL-ER 24](#) and the cable entry plates [KEL-DPZ 24](#) and [KEL-DPU 24](#) can be screwed onto the KEA 24 W90 S. This enables the insertion of pre-assembled and non-assembled cables.

Protection class (KEA + ...):

- KEL-ER 24: IP54, IP65
- KEL-U 24: IP54
- KEL 24: IP54
- KEL-DPU 24: IP54, IP65
- KEL-DPZ 24: IP54, IP65, IP66
- KEL-DP 24 B: IP54

IP54

IP65

IP66

HL3
EN 45545-2

EN 61373

ECOLAB
certified

RoHS
compliant

REACH
COMPLIANCE

Made in
Germany

Borrow a sample now

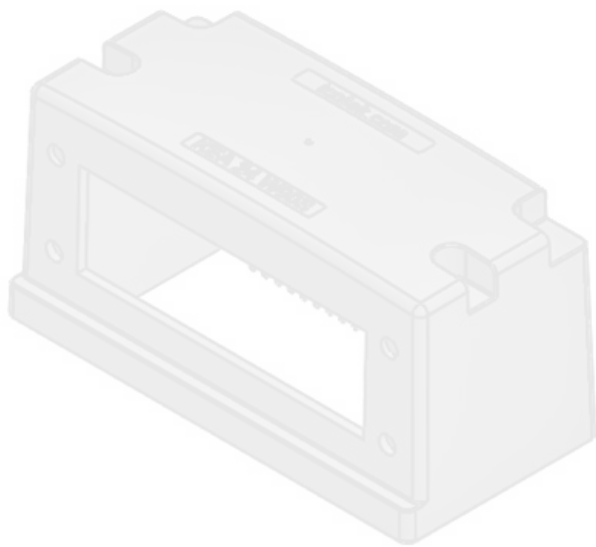


Specifikationer

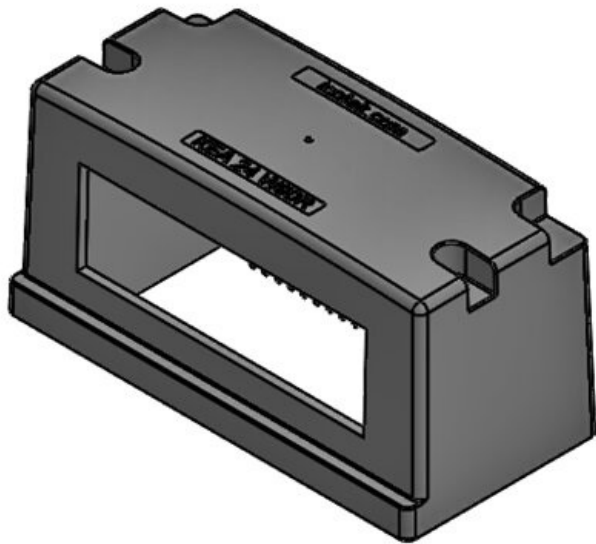
IP-Klass (EN 60529)	IP54, IP65, IP66
Material	Polyamid
Brandklass	UL94-V0, självslocknande
Temperatur	-40 C° till 120 C°
Egenskaper	vibrationssäker, silikonfri, halogenfri
Monteringstyp	Skruvmontering, Snap-in

Fördelar

Produkttyper och storlekar



ArtNr.	48301	Utskärning	112 × 56 mm
EAN	4251269334	Antal skruvhål	4
	658	Skruvhålens diameter	6 mm
Antal	1	Lämplig för:	KEL-ER 24,
Längd	157 mm		KEL-U 24,
Bredd	75 mm		KEL 24, KEL-
Höjd	77 mm		DPU 24, KEL-
Monteringshöjd	77 mm		DPZ 24



ArtNr.	48300	Utskärning	112 × 56 mm
EAN	4251269334	Antal skruvhål	4
	641	Skruvhålens diameter	6 mm
Antal	1	Lämplig för:	KEL-DP 24 B
Längd	157 mm		
Bredd	75 mm		
Höjd	77 mm		
Monteringshöjd	77 mm		