

KEA | 90° Kabelinvoeradapter

voor gedeelde kabelinvoerframes en multi-membraan kabelinvoerplaten / tot IP66



KEA 24 is a cable entry adapter for accommodating various icotek cable entry frames and plates of size 24. The adapter allows cables to be routed at a 90° angle. The installation direction can be horizontal or vertical. The cables are protected against mechanical tension in the entry and exit areas. [Wall mounting](#) is done either with screws and nuts or by using threaded bushings. A suitable wall seal is included in the scope of delivery. icotek also offers suitable [punches for the cut-out](#).

The cable entry plates [KEL-DP 24 Type B](#) can be easily snapped onto the KEA 24 W90 R. The cable entry frames [KEL 24](#), [KEL-U 24](#), [KEL-ER 24](#) and the cable entry plates [KEL-DPZ 24](#) and [KEL-DPU 24](#) can be screwed onto the KEA 24 W90 S. This enables the insertion of pre-assembled and non-assembled cables.

Protection class (KEA + ...):

- KEL-ER 24: IP54, IP65
- KEL-U 24: IP54
- KEL 24: IP54
- KEL-DPU 24: IP54, IP65
- KEL-DPZ 24: IP54, IP65, IP66
- KEL-DP 24 B: IP54

IP54

IP65

IP66

HL3
EN 45545-2

EN 61373

ECOLAB
certified

RoHS
compliant

REACH
COMPLIANCE

Made in
Germany

Borrow a sample now

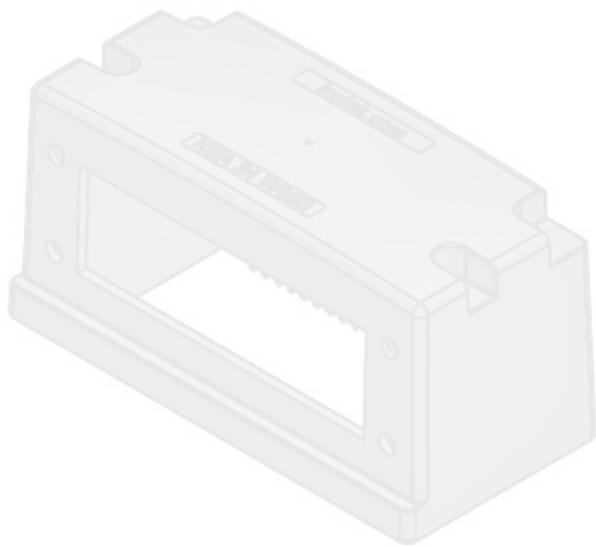


Specificaties

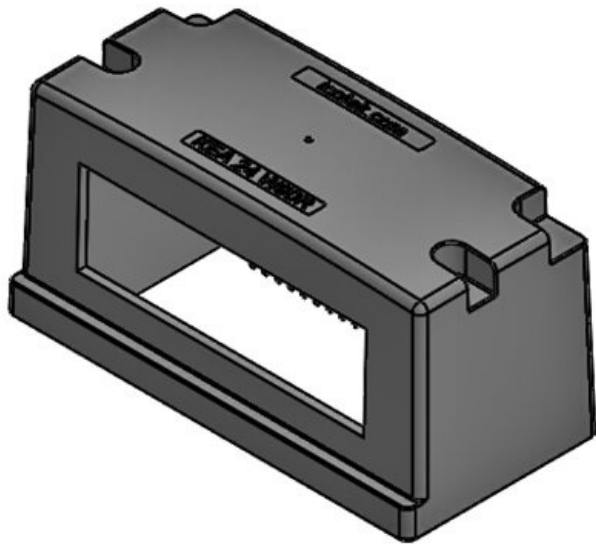
IP-classificatie (EN 60529)	IP54, IP65, IP66
Materiaal	Polyamide
Vlam klasse	UL94-V0, zelfdovend
Temperatuur	-40 C° tot 120 C°
Eigenschappen	trillingsbestendig, zonder siliconen, halogeenvrij
Montage type	Schroefbevestiging, Snap-in

Voordelen

Producttypes en maten



Art.nr.	48301	Inbouwmaat	112 × 56 mm
EAN	4251269334	Aantal	4
	658	schroefgaten	
Aantal	1	Diameter van	6 mm
Lengte	157 mm	schroefgaten	
Breedte	75 mm	Geschikt voor:	KEL-ER 24,
Hoogte	77 mm		KEL-U 24,
Montage	77 mm		KEL 24, KEL-
hoogte			DPU 24, KEL-
			DPZ 24



Art.nr.	48300	Inbouwmaat	112 × 56 mm
EAN	4251269334	Aantal	4
	641	schroefgaten	
Aantal	1	Diameter van	6 mm
Lengte	157 mm	schroefgaten	
Breedte	75 mm	Geschikt voor:	KEL-DP 24 B
Hoogte	77 mm		
Montage	77 mm		
hoogte			