

KEA | 90°

90° 24-pin connector / IP66



KEA 24 is a 24-pin connector for industrial applications. It is designed for high reliability and is suitable for use in harsh environments. The connector is available in various configurations and is compatible with a wide range of cables.

Compatible models include: **KEL-DPZ 24 Type B**, **KEA 24 W90 R**, **KEL-ER 24**, **KEL-U 24**, **KEL-ER 24**, **KEL-DPU 24**, **KEL-DPU 24**, **KEA 24 W90 S**.

Compatible (KEA + ...):

- KEL-ER 24: IP54, IP65
- KEL-U 24: IP54
- KEL 24: IP54
- KEL-DPU 24: IP54, IP65
- KEL-DPZ 24: IP54, IP65, IP66
- KEL-DP 24 B: IP54

IP54

IP65

IP66



ECOLAB certified

RoHS compliant

REACH COMPLIANCE

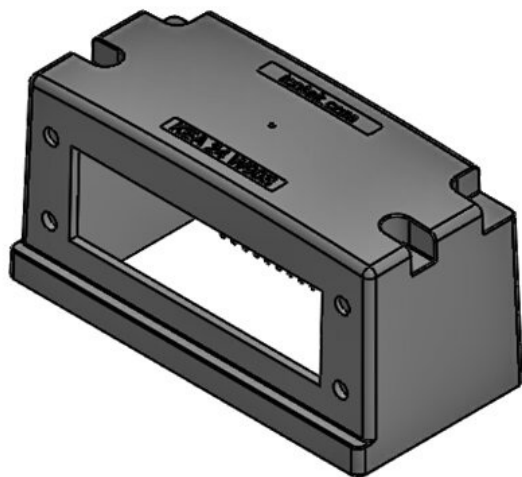
Made in Germany

IP (EN 60529)	IP54, IP65, IP66
	UL94-V0, -40 C° to 120 C°
	RoHS, REACH, Made in Germany
Order code	48301-00-0

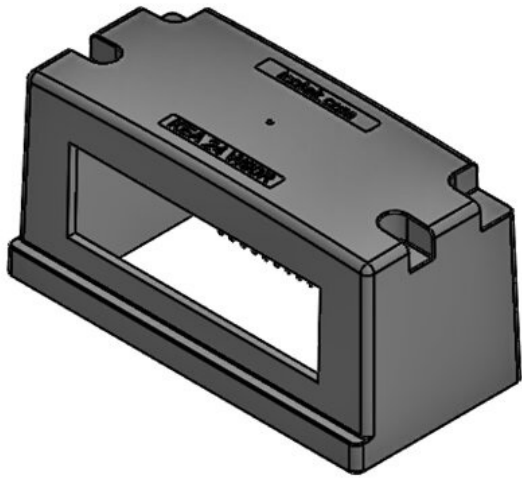
Features

- 90° connector for easy installation
- High reliability and durability
- 24-pin configuration for high data rates
- Suitable for use in harsh environments
- Available in various configurations
- Compatible with a wide range of cables
- High reliability and durability
- Suitable for use in harsh environments
- Available in various configurations
- Compatible with a wide range of cables

Order code



EAN	48301	112 x 56 mm
	4251269334658	4
	1	6 mm
	157 mm	KEL-ER 24, KEL-U 24, KEL 24, KEL-DPU 24, KEL-DPZ 24
	75 mm	
	77 mm	
Order code	77 mm	



EAN

48300
4251269334641
1
157 mm
75 mm
77 mm
77 mm

□□ □□□
□□ □ □
□□□ □□
□□ :

112 × 56 mm
4
6 mm
KEL-DP 24 B

□□ □□