

KEA | 90° Cable entry adapter

for split cable entry frames & multi-membrane cable entry plates / up to IP66



KEA 24 is a cable entry adapter for accommodating various icotek cable entry frames and plates of size 24. The adapter allows cables to be routed at a 90° angle. The installation direction can be horizontal or vertical. The cables are protected against mechanical tension in the entry and exit areas. [Wall mounting](#) is done either with screws and nuts or by using threaded bushings. A suitable wall seal is included in the scope of delivery. icotek also offers suitable [punches for the cut-out](#).

The cable entry plates [KEL-DP 24 Type B](#) can be easily snapped onto the KEA 24 W90 R. The cable entry frames [KEL 24](#), [KEL-U 24](#), [KEL-ER 24](#) and the cable entry plates [KEL-DPZ 24](#) and [KEL-DPU 24](#) can be screwed onto the KEA 24 W90 S. This enables the insertion of pre-assembled and non-assembled cables.

Protection class (KEA + ...):

- KEL-ER 24: IP54, IP65
- KEL-U 24: IP54
- KEL 24: IP54
- KEL-DPU 24: IP54, IP65
- KEL-DPZ 24: IP54, IP65, IP66
- KEL-DP 24 B: IP54

IP54

IP65

IP66

HL3
EN 45545-2

EN 61373

ECOLAB
certified

RoHS
compliant

REACH
COMPLIANCE

Made in
Germany

Borrow a sample now



Specifications

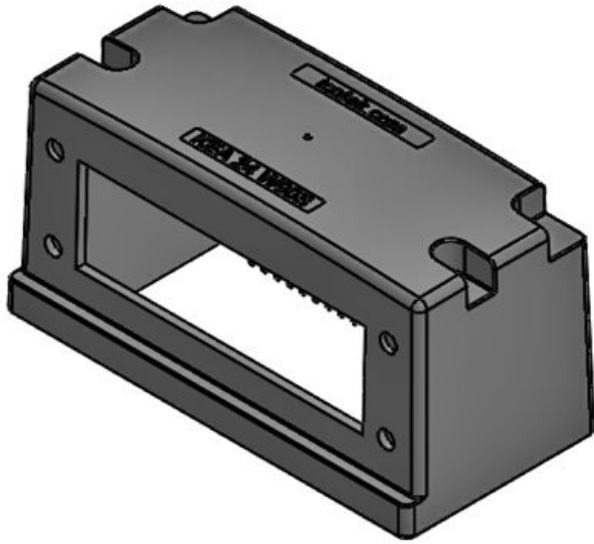
| | |
|-----------------------|--|
| IP rating (EN 60529) | IP54, IP65, IP66 |
| Material | Polyamide |
| Flame class | UL94-V0, self-extinguishing |
| Operating temperature | -40 C° to 120 C° |
| Properties | vibration proof, silicone free, halogen free |
| Mounting options | Screw type mounting, Snap-in |

Advantages & Benefits

- Allows the adaptation of cable entry plates at a 90° angle
- Quick and easy, partly tool-free (R variant) assembly
- High packing density in combination with cable entry plates (size 24)
- Mechanical protection at cable entry and exit due to the closed housing
- Universal 90° adapter for many icotek products in size 24
- Space saving within the control cabinet due to the bending radius being shifted outwards
- Edge protection
- Wall seal included
- High stability due to the geometry of the housing

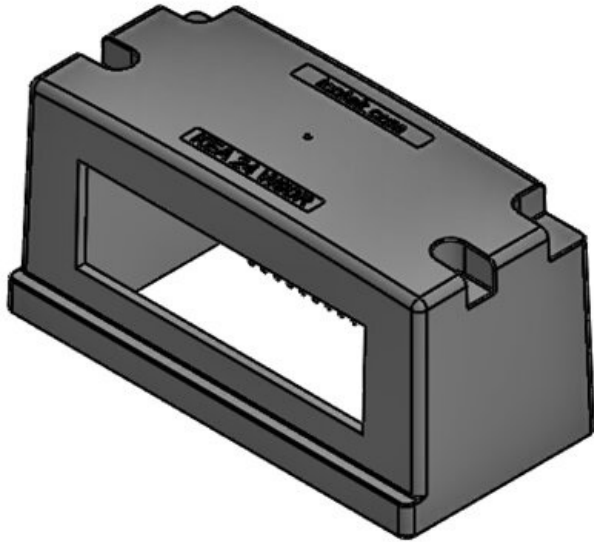
Product types & Sizes

KEA 24 W90 S



| | | | |
|------------------|-------------------|-----------------------------------|--|
| Part No. | 48301 | Cut-out size | 112 × 56 mm |
| EAN | 4251269334 | No. of screw holes | 4 |
| Package quantity | 658 | Diam. of screw holes | 6 mm |
| Length | 1 | Suitable for cable entry systems: | KEL-ER 24, KEL-U 24, KEL-DPU 24, KEL-DPZ 24 |
| Width | 157 mm | | |
| Height | 75 mm | | |
| Mounting height | 77 mm | | |

KEA 24 W90 R



| | | | |
|------------------|-------------------|-----------------------------------|--------------------|
| Part No. | 48300 | Cut-out size | 112 × 56 mm |
| EAN | 4251269334 | No. of screw holes | 4 |
| Package quantity | 641 | Diam. of screw holes | 6 mm |
| Length | 1 | Suitable for cable entry systems: | KEL-DP 24 B |
| Width | 157 mm | | |
| Height | 75 mm | | |
| Mounting height | 77 mm | | |