

KEA | 90° Cable entry adapter

for split cable entry frames & multi-membrane cable entry plates / up to IP66



KEA 24 is a cable entry adapter for accommodating various icotek cable entry frames and plates of size 24. The adapter allows cables to be routed at a 90° angle. The installation direction can be horizontal or vertical. The cables are protected against mechanical tension in the entry and exit areas. [Wall mounting](#) is done either with screws and nuts or by using threaded bushings. A suitable wall seal is included in the scope of delivery. icotek also offers suitable [punches for the cut-out](#).

The cable entry plates KEL-DP 24 Type B can be easily snapped onto the KEA 24 W90 R. The cable entry frames KEL 24, KEL-U 24, KEL-ER 24 and the cable entry plates KEL-DPZ 24 and KEL-DPU 24 can be screwed onto the KEA 24 W90 S. This enables the insertion of pre-assembled and non-assembled cables.

Protection class (KEA + ...):

- KEL-ER 24: IP54, IP65
- KEL-U 24: IP54
- KEL 24: IP54
- KEL-DPU 24: IP54, IP65
- KEL-DPZ 24: IP54, IP65, IP66
- KEL-DP 24 B: IP54

IP54

IP65

IP66

HL3
EN 45545-2

EN 61373

ECOLAB
certified

RoHS
compliant

REACH
COMPLIANCE

Made in
Germany

Borrow a sample now



Specifications

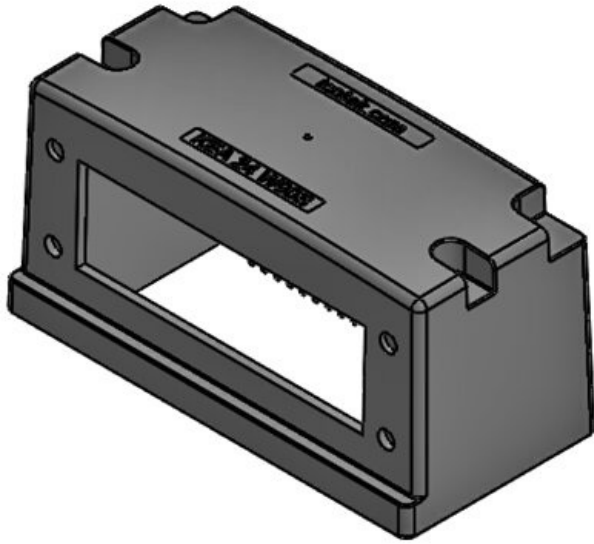
IP rating (EN 60529)	IP54, IP65, IP66
Material	Polyamide
Flame class	UL94-V0, self-extinguishing
Operating temperature	-40 C° to 120 C°
Properties	vibration proof, silicone free, halogen free
Mounting options	Screw type mounting, Snap-in

Advantages & benefits

- Allows the adaptation of cable entry plates at a 90° angle
- Quick and easy, partly tool-free (R variant) assembly
- High packing density in combination with cable entry plates (size 24)
- Mechanical protection at cable entry and exit due to the closed housing
- Universal 90° adapter for many icotek products in size 24
- Space saving within the control cabinet due to the bending radius being shifted outwards
- Edge protection
- Wall seal included
- High stability due to the geometry of the housing

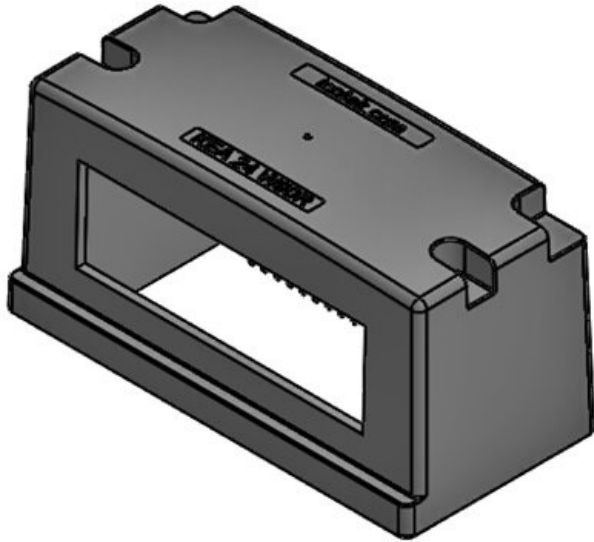
Product types & sizes

KEA 24 W90 S



Part No.	48301	Cut-out size	112 × 56 mm
EAN	4251269334	No. of screw holes	4
Package quantity	658	Diam. of screw holes	6 mm
Length	1	Suitable for cable entry systems:	KEL-ER 24, KEL-U 24, KEL-DPU 24, KEL-DPZ 24
Width	157 mm		
Height	75 mm		
Mounting height	77 mm		

KEA 24 W90 R



Part No.	48300	Cut-out size	112 × 56 mm
EAN	4251269334	No. of screw holes	4
Package quantity	641	Diam. of screw holes	6 mm
Length	1	Suitable for cable entry systems:	KEL-DP 24 B
Width	157 mm		
Height	75 mm		
Mounting height	77 mm		