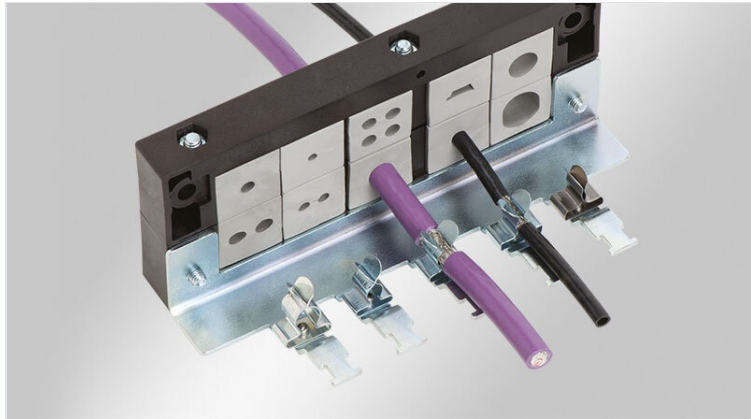


KEL-EMC | KEL-EMC-Z cable assembly

with shield earthing and integrated strain relief



Cable entry, EMC shield earthing and strain relief - all in one location!

Cables pass through the [KEL cable entry frame](#) and lead directly to cable shield earthing and strain relief. Three functions carried out quickly and easily!

KEL-EMC-Z: Custom configurations are available for shield clamps up to 16 mm in diameter with minimal order quantities and lead time.

Material:

KEL-EMC: Stainless steel

KEL-EMC-Z: Mild steel, galvanically zinc plated



RoHS compliant



Made in Germany



Specifications

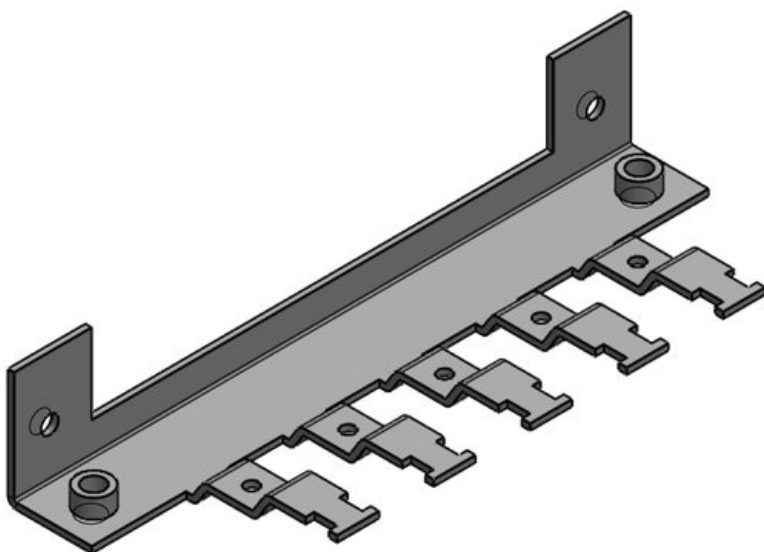
Material	Mild steel, galvanically zinc plated Stainless steel
Properties	vibration proof
Mounting options	Screw type mounting

Advantages & benefits

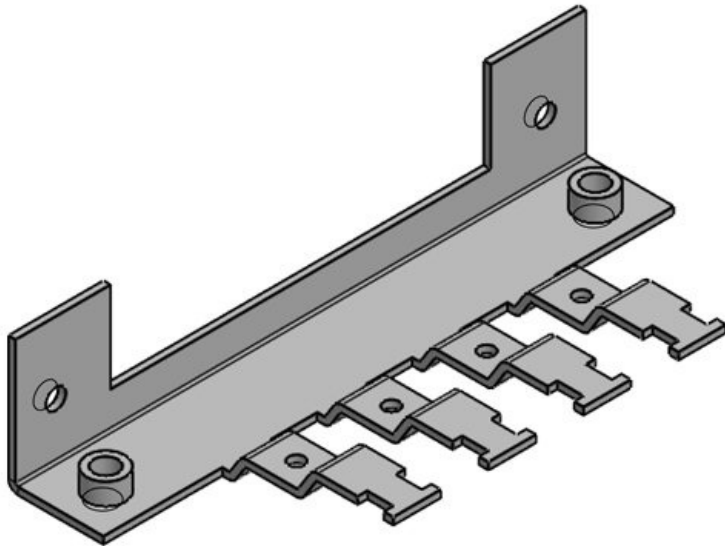
- Large surface contact between cable shield and housing, especially on conductive coated surfaces
- Easily combines cable routing, EMC and strain relief due to the use of the same mounting holes
- Available without SKL shield clamps if only additional strain relief is required
- M6 Mounting hole for earthing tape or PE connection (KEL-EMC-Z)
- Direct, easy and quick contact to the enclosure
- Space saving, usable for up to 10 cables with the two row model
- Replacement for EMC cable glands, even for pre-terminated cables

Product types & sizes

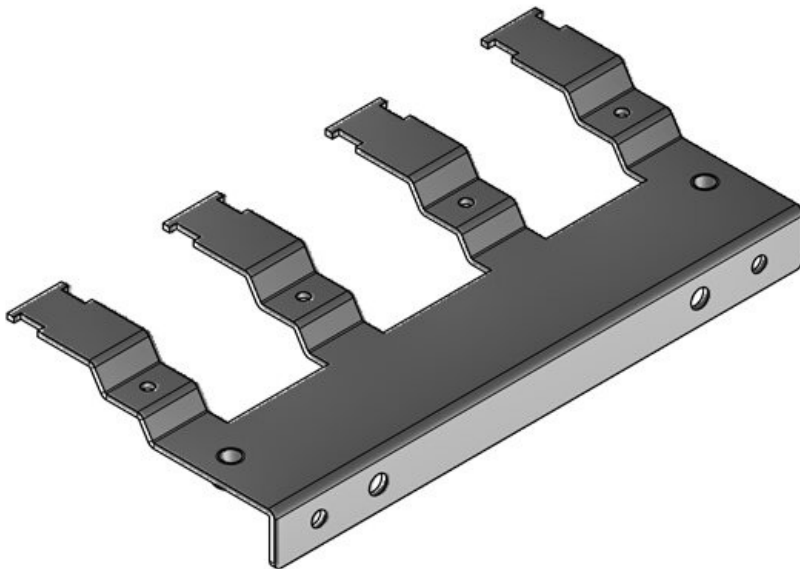
KEL-EMC-Z 24|5



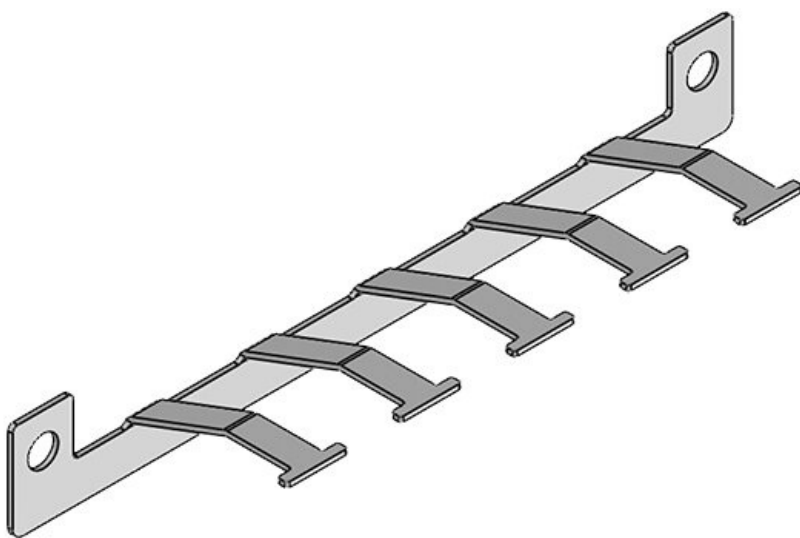
Part No.	36527	Width	56 mm
EAN	4251269303074	Height	28 mm
Package quantity	1	Mounting height	28 mm
For no. of shield clamps	5	Hole size	M5 / M6
For max. no. of cables	5	No. of screw holes	2
Length L1	147 mm	No. of teeth	5
Length L2	130 mm	Suitable for cable entry systems:	KEL-ER 24, KEL-ER-E5, KEL-U 24, KEL-FG-E5, KEL-QUICK 24, KEL-QUICK-E5, KEL-BES 24, KEL-BES-S 24, KEL-DPZ 24, KEL-DPZ-E, KEL-DPU 24

KEL-EMC-Z 16|4

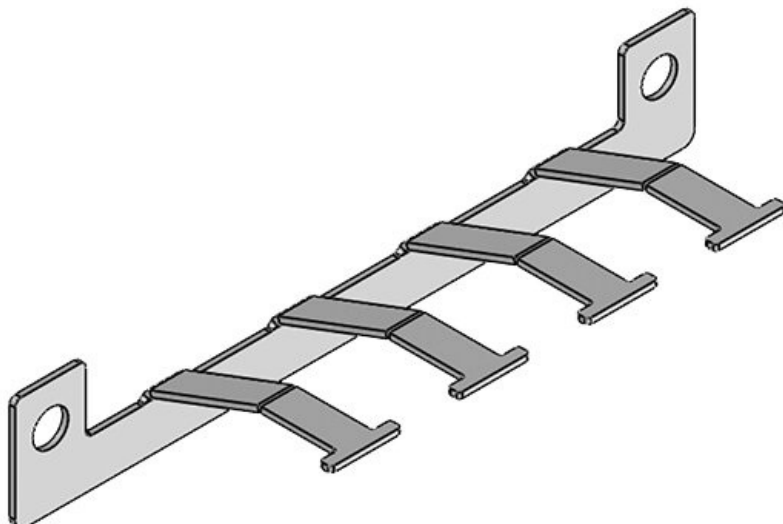
Part No.	36525	Width	56 mm
EAN	4251269303	Height	28 mm
	050	Mounting height	28 mm
Package quantity	1	Hole size	M6 / M5
For no. of shield clamps	4	No. of screw holes	2
For max. no. of cables	4	No. of teeth	4
Length L1	120 mm	Suitable for cable entry systems:	KEL-ER 16, KEL-ER-E4, KEL-U 16, KEL-QUICK 16, KEL-QUICK-E4, KEL-BES 16, KEL-BES-S 16, KEL-DPZ 16
Length L2	103 mm		

KEL-EMC-Z 183|4

Part No.	36528	Width	79 mm
EAN	4251269331	Height	27 mm
	343	Mounting height	27 mm
Package quantity	1	Hole size	M4 / M6
For no. of shield clamps	4	No. of screw holes	2
For max. no. of cables	4	No. of teeth	4
Length L1	156 mm	Suitable for cable entry systems:	KEL 183-E, KEL 183
Length L2	140 mm		



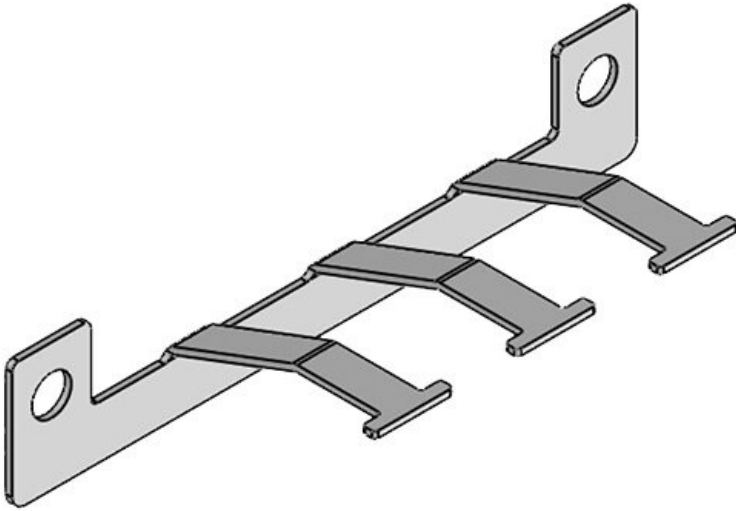
Part No.	36526	Height	19,5 mm
EAN	4251269303067	Mounting height	19,5 mm
Package quantity	5	No. of screw holes	2
For max. no. of cables	5	Diam. of screw holes	6 mm
Length L1	142 mm	No. of teeth	5
Length L2	130 mm	Suitable for cable entry systems:	KEL-ER 24, KEL-ER-E5, KEL 24, KEL-E5, KEL-U 24, KEL-FG-E5, KEL-QUICK 24, KEL-QUICK-E5, KEL-BES 24, KEL-BES-S 24, KEL-DPZ 24, KEL-DPZ-E, KEL-DPU 24
Width	35 mm		



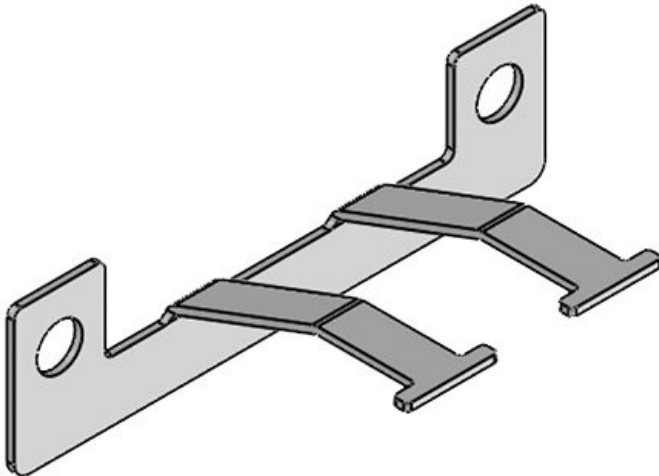
Part No.	36524	Height	19,5 mm
EAN	4251269303043	Mounting height	19,5 mm
Package quantity	5	No. of screw holes	2
For max. no. of cables	4	Diam. of screw holes	6 mm
Length L1	115 mm	No. of teeth	4
Length L2	103 mm	Suitable for cable entry systems:	KEL-ER 16, KEL-ER-E4, KEL 16, KEL-E4, KEL-U 16, KEL-QUICK 16, KEL-QUICK-E4, KEL-BES 16, KEL-BES-S 16, KEL-DPZ 16
Width	35 mm		

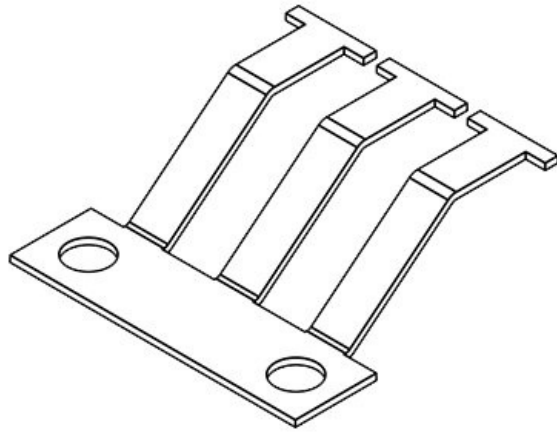
KEL-EMC 10

Part No.	36522	Height	19,5 mm
EAN	4251269303036	Mounting height	19,5 mm
Package quantity	5	No. of screw holes	2
For max. no. of cables	3	Diam. of screw holes	6 mm
Length L1	95 mm	No. of teeth	3
Length L2	83 mm	Suitable for cable entry systems:	KEL-ER 10, KEL-ER-E3, KEL 10, KEL-E3, KEL-U 10, KEL-FG-E3, KEL-QUICK 10, KEL-QUICK-E3, KEL-BES 10, KEL-BES-S 10
Width	35 mm		

**KEL-EMC-B**

Part No.	36520	Height	19,5 mm
EAN	4251269303029	Mounting height	19,5 mm
Package quantity	5	No. of screw holes	2
For max. no. of cables	2	Diam. of screw holes	6 mm
Length L1	70 mm	No. of teeth	2
Length L2	58 mm	Suitable for cable entry systems:	KEL-ER-B, KEL-ER-E2, KEL-B, KEL-E2, KEL-U-B, KEL-FG-E2, KEL-QUICK-B, KEL-QUICK-E2, KEL-DPZ-B
Width	35 mm		





Part No.	39110	Height	19,5 mm
EAN	4251269305	Mounting height	19,5 mm
Package quantity	5	No. of screw holes	2
For max. no. of cables	3	Diam. of screw holes	6 mm
Length L1	44 mm	No. of teeth	3
Length L2	32 mm	Suitable for cable entry systems:	KEL-ER
Width	35 mm		24/16/10/-B, KEL
			24/16/10/-B, KEL-U
			24/16/10/-B, KEL-QUICK
			24/16/10/-B, KEL-BES
			24/16/10, KEL-BES-S
			24/16/10, KEL-DPZ
			24/16, KEL-DPU 24